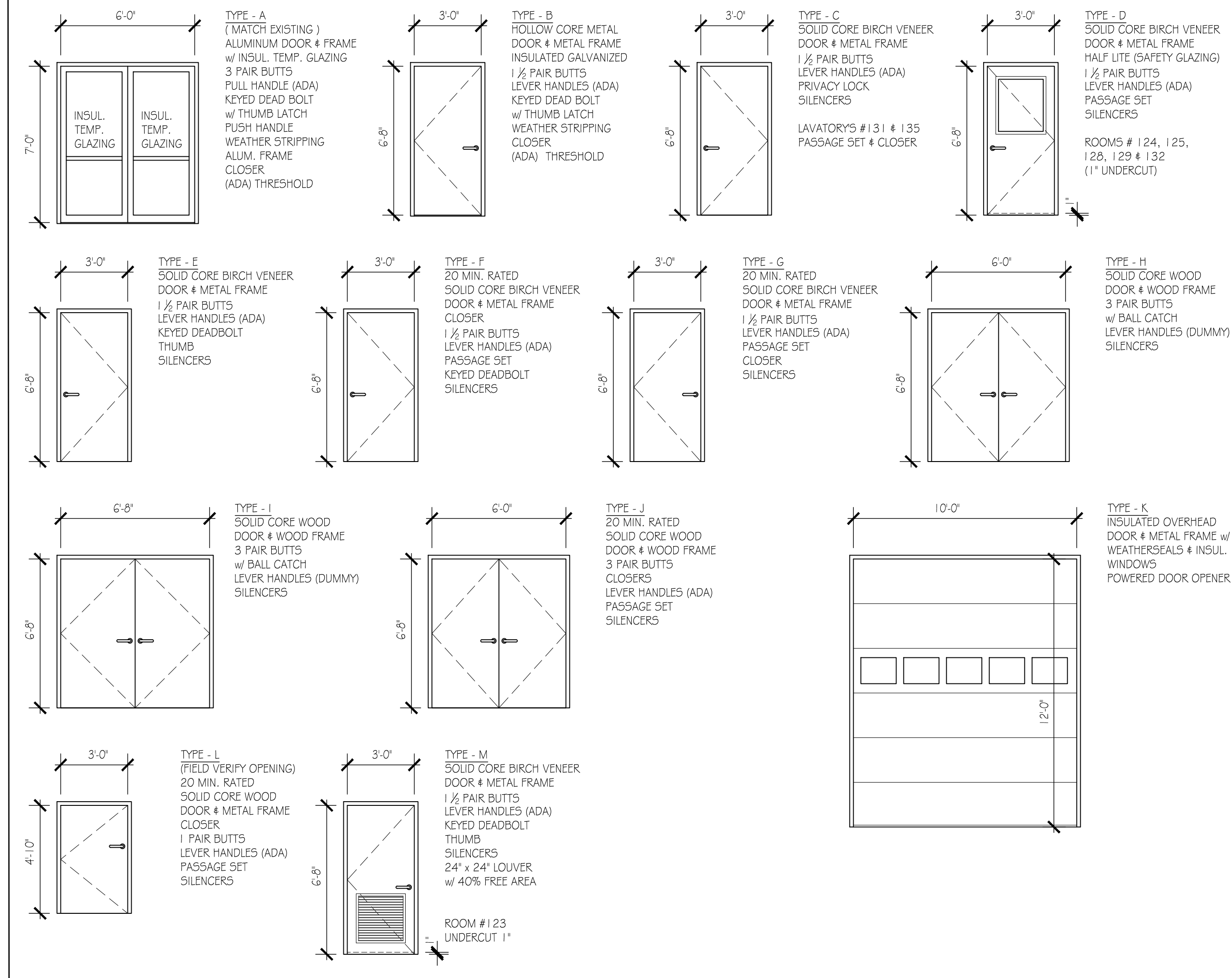


# DOOR TYPES

NOTE: ALL DOORS & GLAZING SHALL MEET THE REQUIREMENTS OF THE 2018 IECC. MATCH EXISTING STYLES & FINISHES.



# CLIMATIC AND GEOGRAPHIC DESIGN CRITERIA -Town of Easton, Maryland

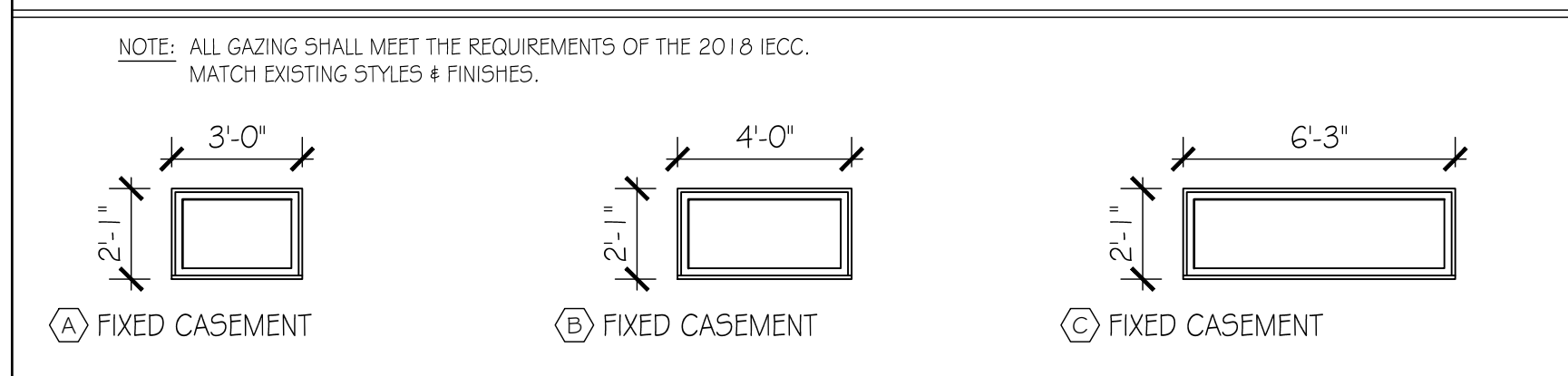
GROUND SNOW LOAD	WIND SPEED		SPECIAL WIND REGION	WIND BORNE DEBRIS ZONE	SEISMIC DESIGN CATEGORY	SUBJECT TO DAMAGE FROM				WINTER DESIGN TEMP.	ICE BARRIER UNDERLAYMENT REQUIRED	FLOOD HAZARDS	AIR FREEZING INDEX	MEAN ANNUAL TEMP.
	SPEED (mph)	TOPOGRAPHIC EFFECTS				WEATHERING	FROST LINE DEPTH	TERMITE	DECAY					
30 lb./sq. ft.	115 mph.	No	No	No	A	Severe	24 inches	Moderate to Heavy	Slight to Moderate	10° F	NO	(a) 17 Sept. 1984 (b) 27 March 1984 (c) footnote a.	1500 Less or	55° F

# FINISH SCHEDULE

ROOM #	ROOM NAME	FLOORS				WALLS				CEILING			REMARKS
		FLOOR	BASE	NORTH	EAST	SOUTH	WEST	MAT.	FIN.	HT.			
100													
101	BOUTIQUE	CARP. -	VINYL -	-	-	-	-	-	-	ACT. -	8'-0"		
102	DRESS RM.	CARP. -	VINYL -	-	-	-	-	GWB. PT. -	-	ACT. -	8'-0"		
103	DRESS RM.	CARP. -	VINYL -	GWB. PT. -	-	-	-	GWB. PT. -	-	ACT. -	8'-0"		
104	BOUTIQUE	EX. -	-	-	-	-	-	-	-	ACT. -	8'-0"		
105	HALL	EX. -	-	-	-	-	-	-	-	EX. -	8'-0"		
106	CLOSET	EX. -	-	-	-	-	-	-	-	EX. -	8'-0"		
107	LAVATORY	EX. -	-	-	-	-	-	-	-	EX. -	8'-0"		
108	LAVATORY	EX. -	-	-	-	-	-	-	-	EX. -	8'-0"		
109	CLOSET	EX. -	-	-	-	-	-	-	-	EX. -	8'-0"		
110	KITCHENETTE	EX. -	-	-	-	-	-	-	-	EX. -	8'-0"		
111	MECHANICAL	EX. -	EX. -	-	-	-	-	-	-	EX. -	13'-7"		
112	ELEC. CLOSET	EX. -	VINYL -	-	-	GWB. PT. -	-	GWB. PT. -	EX. -	13'-7"		OPEN TO ABOVE	
113	PANEL CLOSET	EX. -	VINYL -	-	-	GWB. PT. -	-	GWB. PT. -	EX. -	13'-7"		OPEN TO ABOVE	
114	DRESS RM.	EX. -	VINYL -	GWB. PT. -	-	GWB. PT. -	-	GWB. PT. -	EX. -	8'-0"			
115	THRIFT AREA	EX. -	-	-	-	-	-	-	-	EX. -	13'-7"		
116	OFFICE	EX. -	VINYL -	GWB. PT. -	GWB. PT. -	-	-	GWB. PT. -	EX. -	8'-0"			
117	HOUSEWARES	EX. -	-	-	-	-	-	-	-	EX. -	13'-7"		
118	MECHANICAL	EX. -	-	-	-	-	-	-	-	EX. -	13'-7"		(EXISTING 1 HOUR FIRE RATED WALLS & CLG.)
119	THRIFT AREA	EX. -	-	-	-	GWB. PT. -	-	-	-	EX. -	13'-7"		(EAST WALL & CEILING 1 HOUR FIRE RATED)
120	STORAGE	CONC. -	VINYL -	T-111 PT. -	T-111 PT. -	T-111 PT. -	T-111 PT. -	T-111 PT. -	GWB. PT. -	EX. -	8'-0"		(WEST WALL & CEILING 1 HOUR FIRE RATED)
121	RECEIVING & DONATION	EX. -	-	-	GWB. PT. -	-	-	-	-	EX. -	11'-8"		
122	STORAGE	CONC. -	VINYL -	T-111 PT. -	T-111 PT. -	T-111 PT. -	T-111 PT. -	T-111 PT. -	GWB. PT. -	EX. -	8'-0"		(WEST WALL & CEILING 1 HOUR FIRE RATED)
123	GOODS	EX. -	VINYL -	T-111 PT. -	T-111 PT. -	T-111 PT. -	T-111 PT. -	T-111 PT. -	EX. -	11'-8"			
124	INTERVIEW	CARP. -	VINYL -	T-111 PT. -	T-111 PT. -	T-111 PT. -	T-111 PT. -	T-111 PT. -	EX. -	11'-8"			
125	INTERVIEW	CARP. -	VINYL -	T-111 PT. -	T-111 PT. -	T-111 PT. -	T-111 PT. -	T-111 PT. -	EX. -	11'-8"			
126	RECEPTION	CARP. -	VINYL -	T-111 PT. -	T-111 PT. -	T-111 PT. -	T-111 PT. -	T-111 PT. -	EX. -	11'-8"			
127	HVAC. CLOSET	EX. -	VINYL -	-	-	-	-	-	-	EX. -	11'-8"		
128	INTERVIEW	CARP. -	VINYL -	T-111 PT. -	T-111 PT. -	T-111 PT. -	T-111 PT. -	T-111 PT. -	EX. -	11'-8"			
129	INTERVIEW	CARP. -	VINYL -	T-111 PT. -	T-111 PT. -	T-111 PT. -	T-111 PT. -	T-111 PT. -	EX. -	11'-8"			
130	HALL	EX. -	VINYL -	T-111 PT. -	T-111 PT. -	T-111 PT. -	T-111 PT. -	T-111 PT. -	EX. -	11'-8"			
131	LAVATORY	TILE -	VINYL -	GWB. PT. -	GWB. PT. -	GWB. PT. -	GWB. PT. -	GWB. PT. -	GWB. PT. -	7'-6"		(WATER RESISTANT GWB.)	
132	ADMINISTRATION	CARP. -	VINYL -	T-111 PT. -	T-111 PT. -	T-111 PT. -	T-111 PT. -	T-111 PT. -	EX. -	11'-8"			
133	MEETING ROOM	CARP. -	VINYL -	T-111 PT. -	T-111 PT. -	T-111 PT. -	T-111 PT. -	T-111 PT. -	EX. -	11'-8"			
134	HALL	CONC. SEALER	VINYL -	-	-	T-111 PT. -	T-111 PT. -	T-111 PT. -	MTL. -	14'-0"			
135	LAVATORY	TILE -	VINYL -	GWB. PT. -	GWB. PT. -	GWB. PT. -	GWB. PT. -	GWB. PT. -	GWB. PT. -	7'-6"		(WATER RESISTANT GWB.)	
136	FOOD PANTRY	CONC. SEALER	VINYL -	T-111 PT. -	T-111 PT. -	T-111 PT. -	T-111 PT. -	T-111 PT. -	MTL. -	14'-0"		(T-111 to 10' Metal Rib above)	
201	MECHANICAL	PLYWD. VINYL -	-	GWB. PT. -	GWB. PT. -	GWB. PT. -	GWB. PT. -	GWB. PT. -	GWB. PT. -	5'-3"		(1-HOUR FIRE RATED WALLS, FLOOR, & CEILING)	

GENERAL NOTE: ON FULL HEIGHT WALLS TO HAVE T-111 1/2" OFF. (NEW ADDITION) METAL RIB PANEL ABOVE UOS.

# WINDOW TYPES



# LINTEL SCHEDULE

MEMBER	TYPE	JAMBS	REMARKS
L-1	(2) 2 x 6's w/ 1/2" PLYWOOD, GLUED & NAILED	110	1 JACK 1 FULL HT.
L-2	(2) 2 x 8's w/ 1/2" PLYWOOD, GLUED & NAILED	110	1 JACK 2 FULL HT.
L-3	(3) 2 x 8's GLUED & NAILED	110	1 JACK 2 FULL HT.

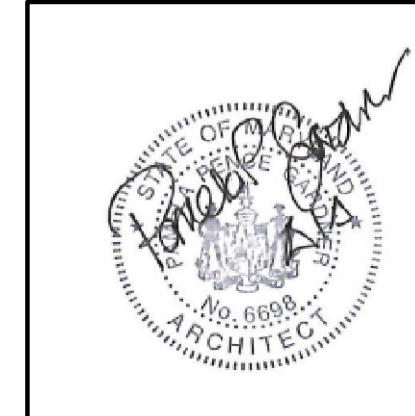
NOTE: FOR ADDITIONAL INFORMATION REFER TO BEAM SCHEDULE NOTES & TYPICAL CONNECTION NOTES.

ARCHITECT:  
**PAMELA P. GARDNER, AIA, LLC**  
311 N. AURORA STREET  
PO BOX 971 EASTON, MARYLAND 21601  
410-820-7973

# ST. VINCENT DE PAUL ADDITION

TOWN OF EASTON, MARYLAND

PROJECT: 2311  
SCALE: 1/4" = 1'-0"  
CONSTRUCTION SCHEDULES,  
DOOR &  
WINDOW TYPES  
REV-DATE:  
DATE: 4-24-24  
DRAWN BY: TGB  
SHEET



I certify that these documents were prepared or approved by me, and that I am a duly licensed architect under the laws of the State of Maryland, license number 6698-R, expiration date 8-15-2025

# CN3

DO NOT SCALE DRAWINGS: In the event that a dimension is inadvertently left off a drawing or the Contractor is unable to determine a dimension by a mathematical process, contact the Architect. Pamela P Gardner, AIA will not be held responsible for any assumptions arising from the scaling of a drawing by the Contractor.